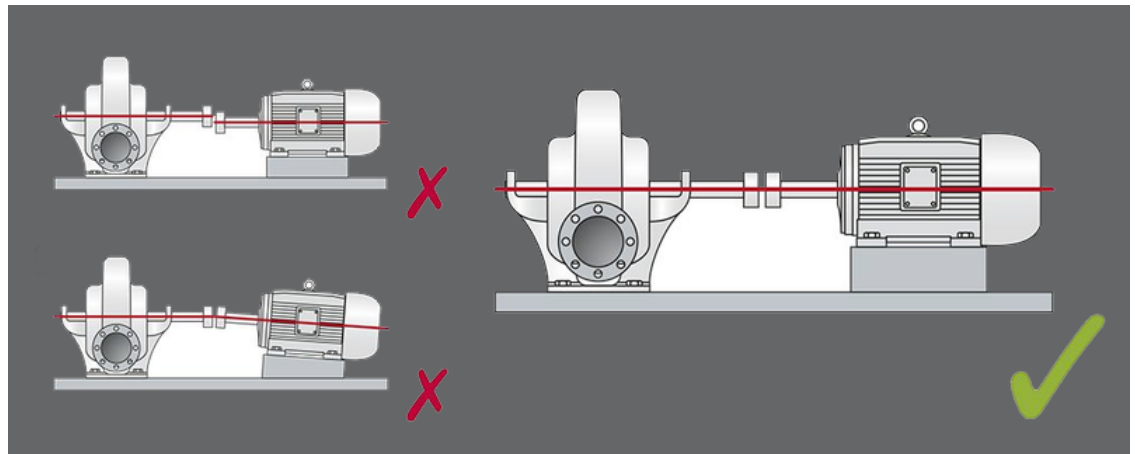




VPAC - VALOR PUMP ALIGNMENT CHECK



HAS YOUR FIRE PUMP ASSEMBLY BEEN CHECKED PER NFPA FOR PROPER ALIGNMENT?

YES, THIS IS AN NFPA REQUIREMENT, AND IS VERY IMPORTANT IN THE FACT THAT YOUR FIRE PUMP IS THE HEART OF YOUR SPRINKLER SYSTEM. RECEIVING THE PROPER SUPPLY OF PRESSURE/FLOW OF WATER THROUGH THE PIPING NETWORK IS A NECESSITY.

A SLIGHT MISALIGNMENT OF A PUMP ASSEMBLY AT THE POWER END OF THE SYSTEM IS EVEN FURTHER OUT OF ALIGNMENT AT THE WET END OR RECEIVING END OF THE SHAFT ASSEMBLY. THEREFORE, CAUSING POSSIBLE ISSUES WITH BEARINGS, PACKING, COUPLING, SHAFT, IMPELLER AND OTHERS. OVER TIME THESE ISSUES CAN CAUSE FAILURE OF THE PUMP PRODUCING THE PROPER CONDITIONS WHEN TESTING. THIS IN RETURN LEADS TO MAJOR REPAIRS WITH POSSIBLE DOWN TIME OF THE SYSTEM PROTECTING YOUR FACILITY.

IF YOU ARE SEEING REPAIRS FROM YOUR PUMP SYSTEM IN WHICH YOU HAVE NOT HAD PREVIOUSLY, OR THE REPAIRS SEEM TO BE GETTING MORE EXCESSIVE OVER TIME, **CONTACT JOHN COUCH [JCOUCH@VFPTX.COM](mailto:jcouch@vfptx.com) - VPAC MANAGER TO SCHEDULE YOUR PUMP ALIGNMENT CHECK.**